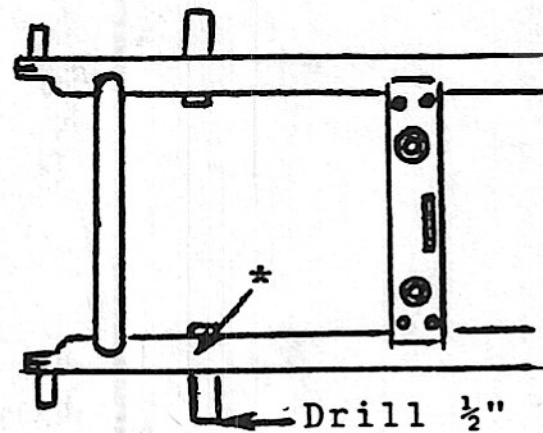


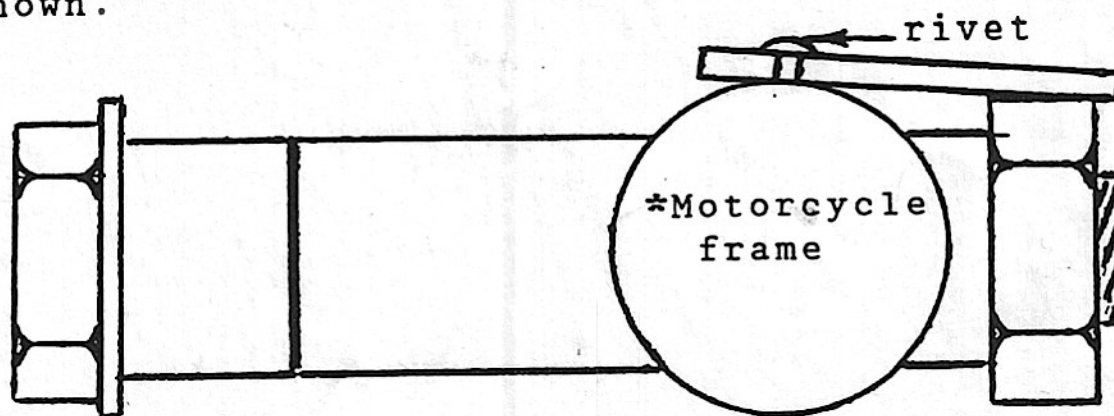


Goldwing 1500 Rear

Remove seat. Right side grab handle is not used with sidecar mount. Drill front right handle mounting boss in motorcycle to accept 1/2" bolt. **CAUTION:** Do not damage wiring when drilling motorcycle frame.



Insert 1/2" bolt through large flanged spacer and install into motorcycle frame. Install captive nut and tighten as shown.

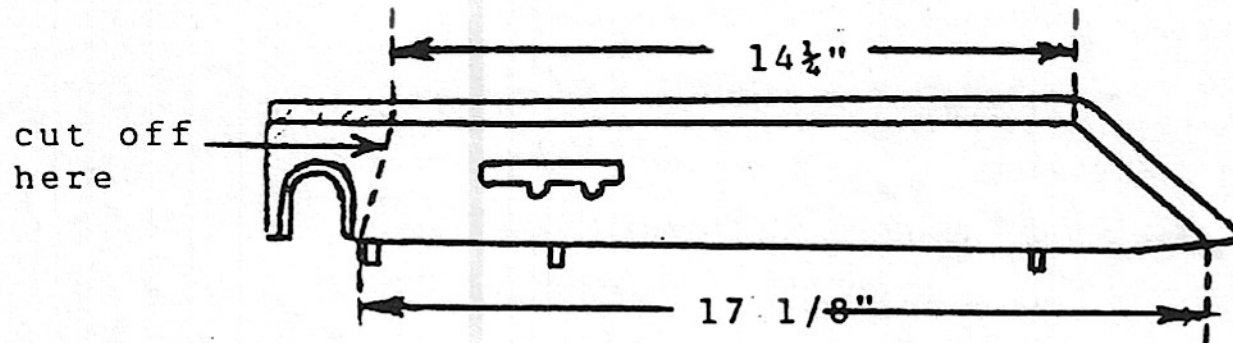


Drill captive nut plate and frame as shown above and install rivet. Remove bolt and check to see that bolt will restart into nut.

The wiring harness should be installed onto the motorcycle at this point so the seat can be installed with the rear mount. Refer to the wiring diagram supplied.  
(NOTE) If the accessory terminal on your motorcycle is already being used it may be necessary to install a relay into the system so as not to overload the accessory fuse on your motorcycle.

(2)

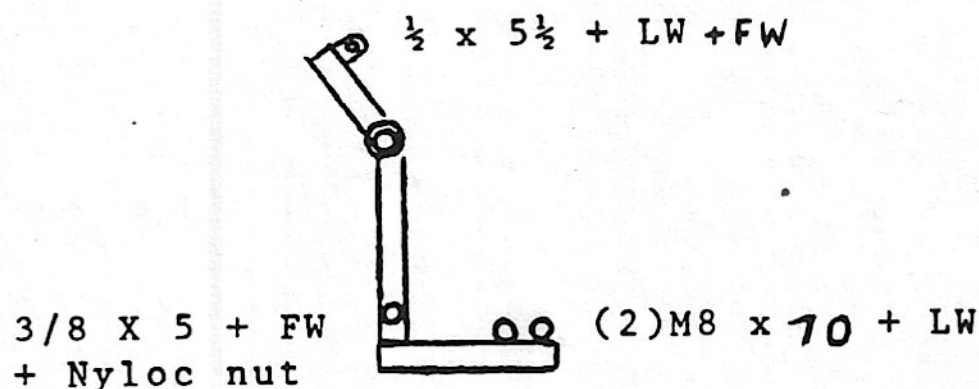
Remove the right side cover if you have not already done so and the right passenger floor board along with the cover behind it. Trim the floor board cover as shown to allow access to the saddlebag guard bolt. Remove the saddlebag guard bolt. Drill out this hole to accept a 3/8" bolt.



Replace cover and footboard without installing the bolts.

Drill the right seat grab handle holes in the seat base to accept the flanged spacers provided. The 1/2" in the rear and the 3/4" in the front. Be careful not to damage the seat vinyl while drilling the holes.

With the wiring complete to the motorcycle and the plug positioned so as to be behind the side cover when it is installed replace the seat onto the motorcycle using the stock bolts and grab handle on the left side. Do not tighten. Install the flanged spacers into the seat holes you have drilled out on the right side of the seat. You are now ready to install the rear mount onto the motorcycle.  
**Caution:** Protect the saddlebag so as not to scratch it during installation of the mount. Start the five bolts through the mount as shown below but do not tighten until all five are started.



Tighten mount bolts.





(3)

If your sidecar is equipped with brakes route the brake line through the right side of the dummy gas tank and up to the front master cylinder. **caution:** Protect your motorcycle from possible brake fluid spills with a piece of plastic or heavy absorbent rags. Remove the single banjo bolt holding your front brake line to the master cylinder. Using the double banjo bolt supplied and the **new** crush washers attach the sidecar brake line closest to the master cylinder and the motorcycle brake line over it. Be sure to use a new crush washer between each line.

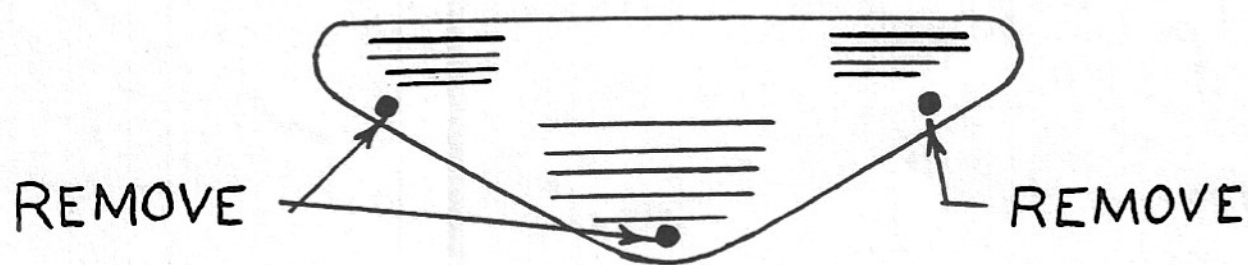
You are now ready to move on to the front mounts.

## PREPARATION AND MOUNTING PROCEDURES

**NOTE:** Reference to LH and RH is with rider on bike.

### LOWER FRONT MOUNT

1. Remove three 5mm bolts and take off lower front fairing panel.



2. Pull out top of rubber boot at rear engine crash guard bolt , located in front of brake pedal. Insert socket wrench above rubber boot and loosen engine crash guard bolt approximately two turns.
3. Remove front engine crash guard 8mm bolt and DO NOT RE-USE ! Replace with 8mm-1.25 x 100 flat washer and lock washer.
4. Remove 10mm frame bolt next to this hole for installation later . Position arm assembly #40 so side plate is between frame and engine crash guard as shown.
5. Install 8mm x 100mm + flat washer + lock washer as shown and hand tighten . Reinstall 10mm frame bolt in original hole.
6. Locate tube clamp on bike cross member and secure end of arm assembly #40 using Nyloc nuts torqued to 10 ft. lbs. Torque frame bolt to 20 ft. lbs. and 8mm bolt to 10 ft. lbs. Re-torque rear guard bolt through boot.
7. Position template on lower front fairing panel as shown and cut out clearance hole . Replace panel at the same time as panels for the upper front mount for ease of assembly.

This completes the installation of the lower front mount.



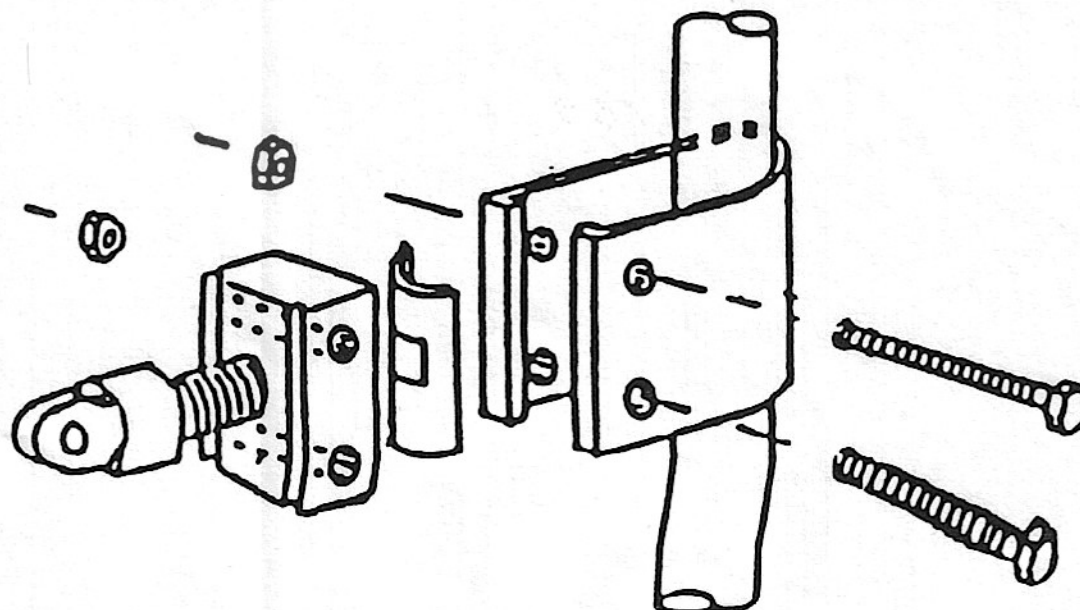
## PREPARATION AND MOUNTING PROCEDURES

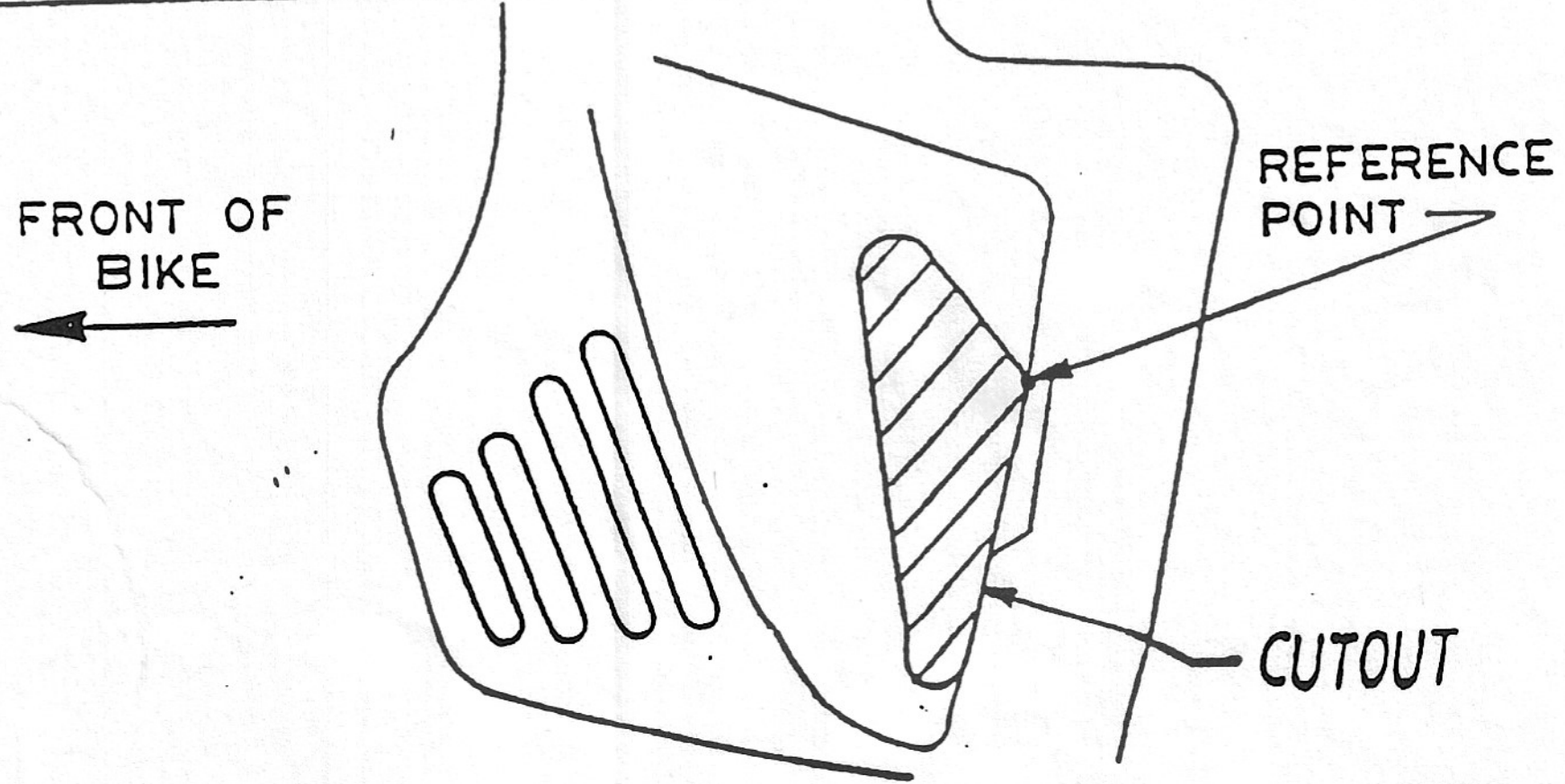
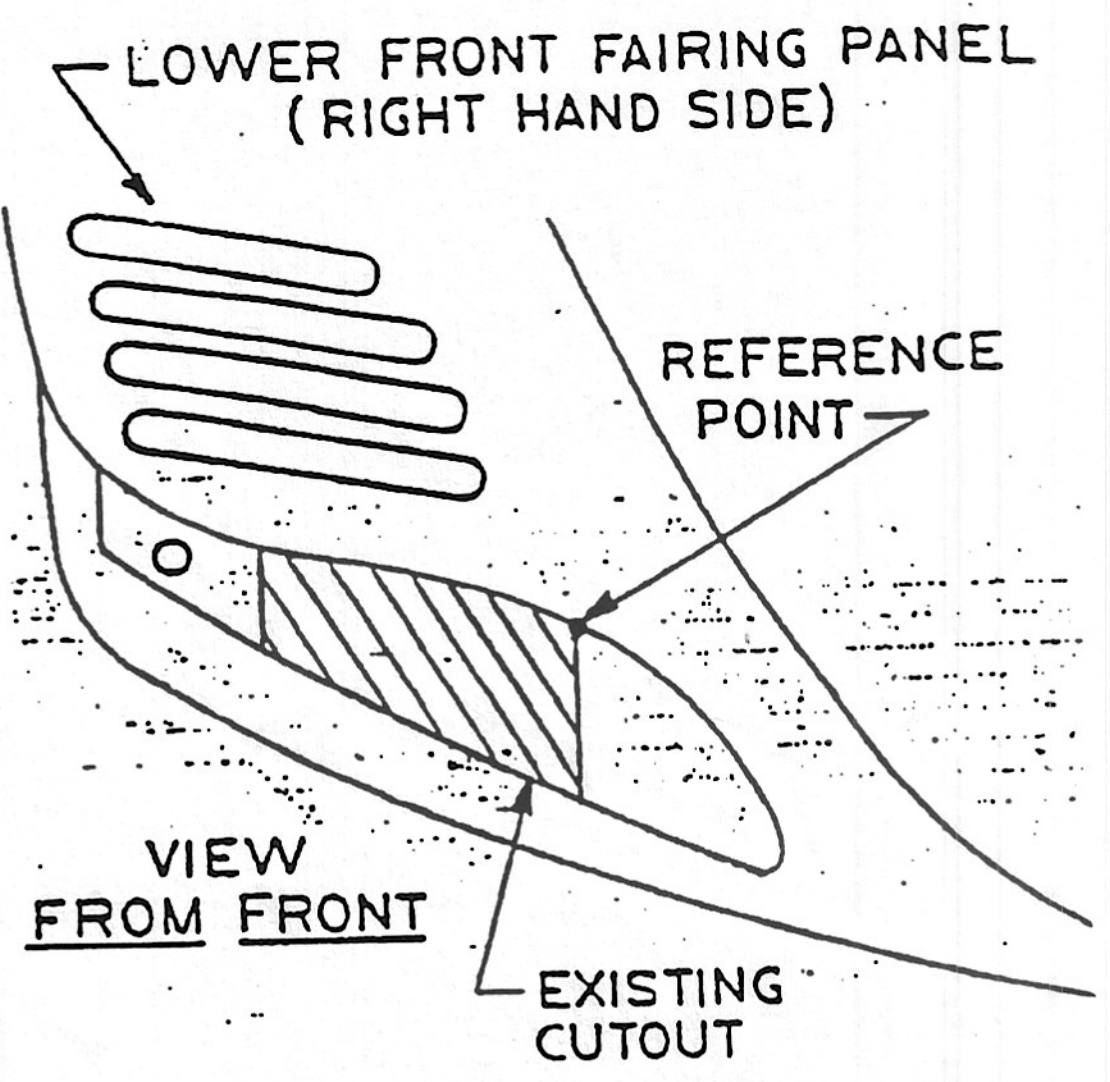
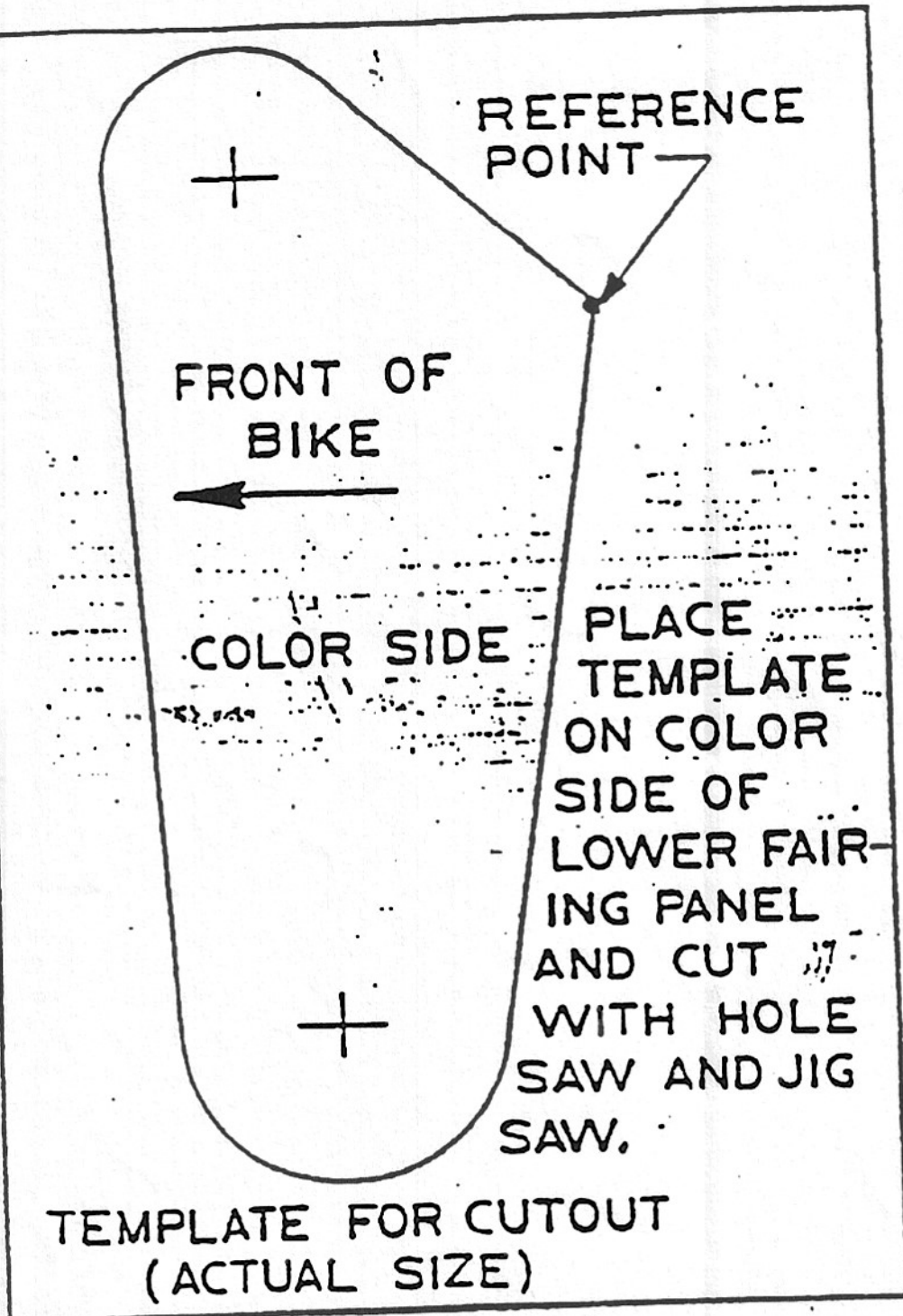
**NOTE:** References to LH and RH are with rider sitting on bike.

### UPPER FRONT MOUNT

1. Remove right side of the fairing panel using screws behind side marker trim and at the lower trailing edge behind the plastic snap caps. Tabs locate adjacent panels together so each panel helps hold the other during final assembly.
2. Remove plastic grill from radiator and if necessary relocate emission canister as shown. The emission canister can alternately be located inside the lower front fairing panel just in front of the oil filter. This is the easiest method but will require the purchase of a longer vacuum hose to reach the new location. Loosen fan box bolt and top radiator bolt to gain clearance around frame tube for clamp #5.
3. Spread clamp over tube and rotate for assembly. Torque bolts to 10 ft. lbs. with nuts toward rear of motorcycle.
4. Position clamp assembly to point straight out from bike and, as high as possible. Located correctly, torque eye bolt to 55 ft. lbs. with eye bolt positioned vertically. Tightening eye bolt after installation of fairing lower panel allows for positioning in fairing hole.
5. Place fairing panel on flat surface and mark position of hole using dimensions shown. If required, trim corner of grill inside fairing to clear top of canister.
6. Reassemble panels with care.

This completes the installation of the upper front mount.



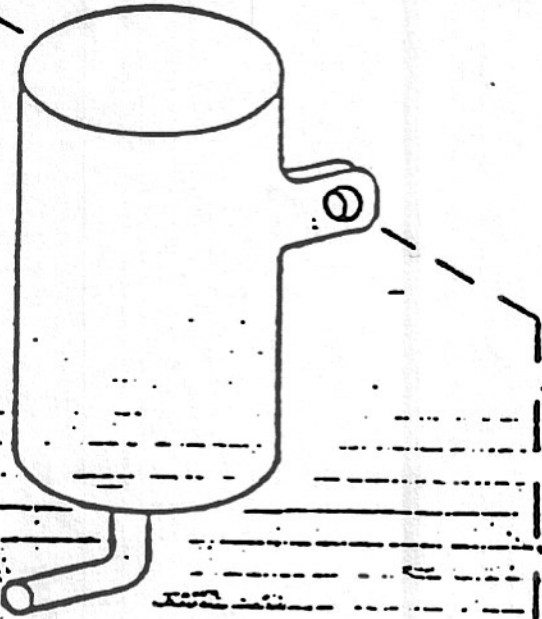


FRONT OF BIKE

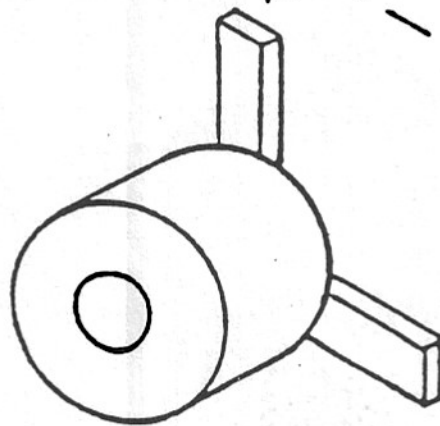


①

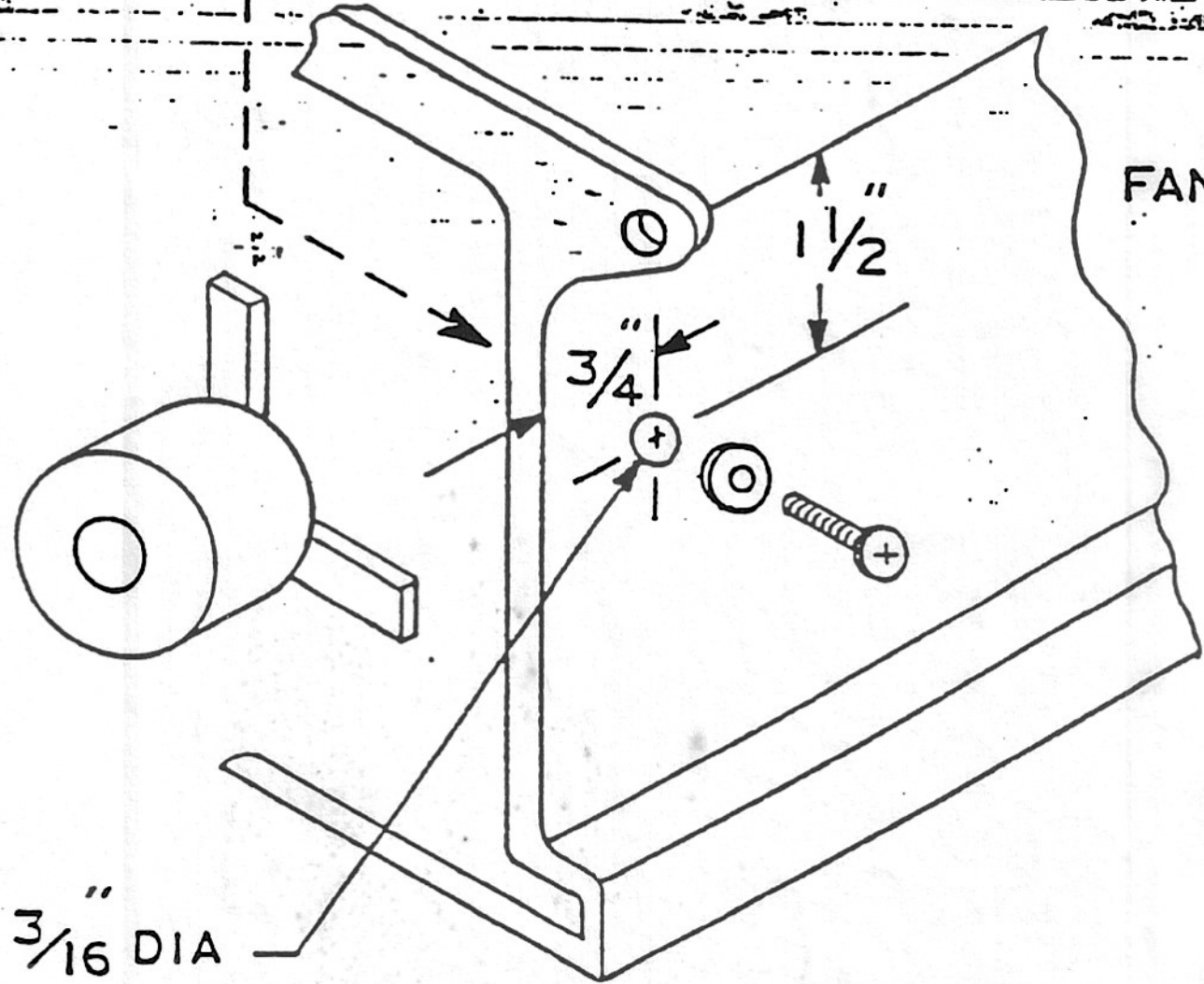
EMISSION  
CANISTER



RIGHT HAND  
SIDE FAN



FAN BOX

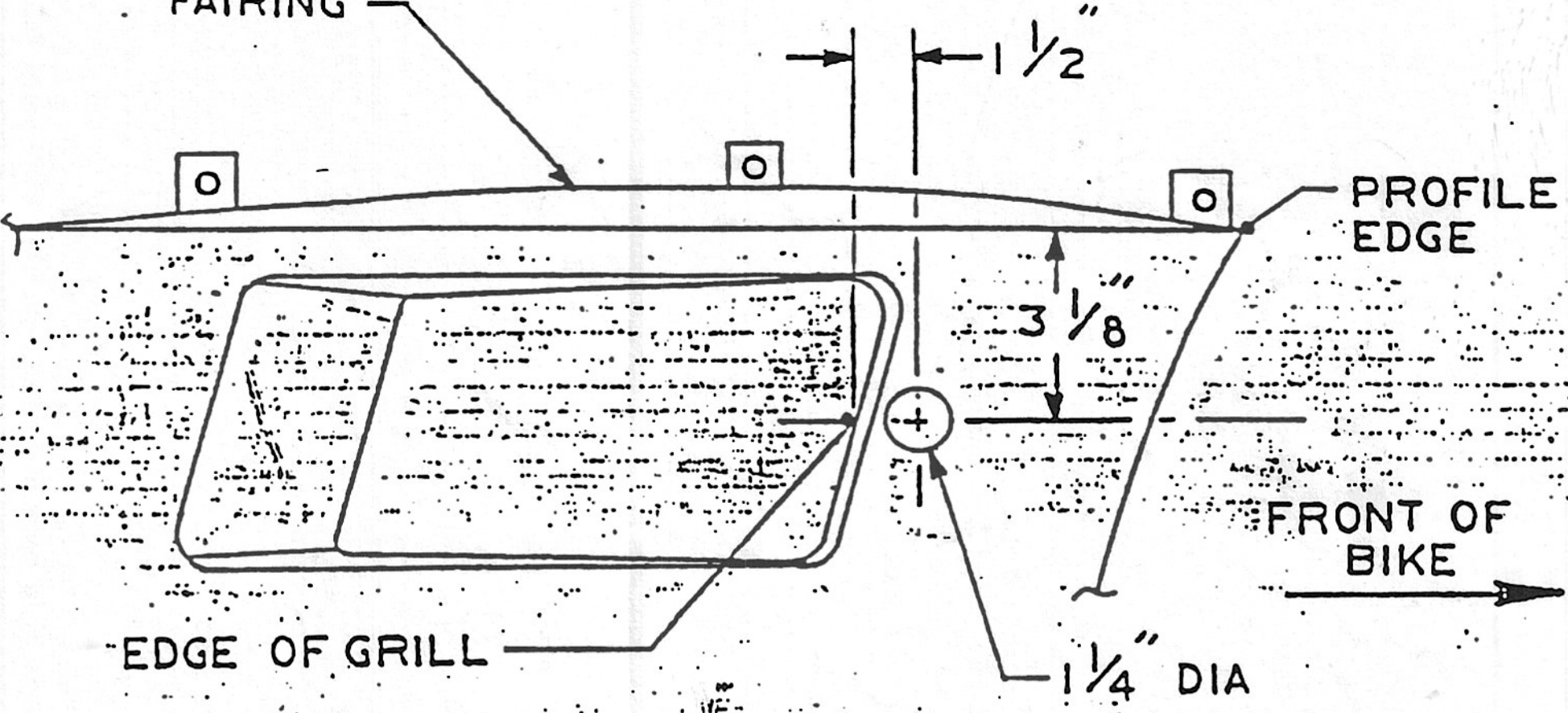


FRONT OF  
BIKE

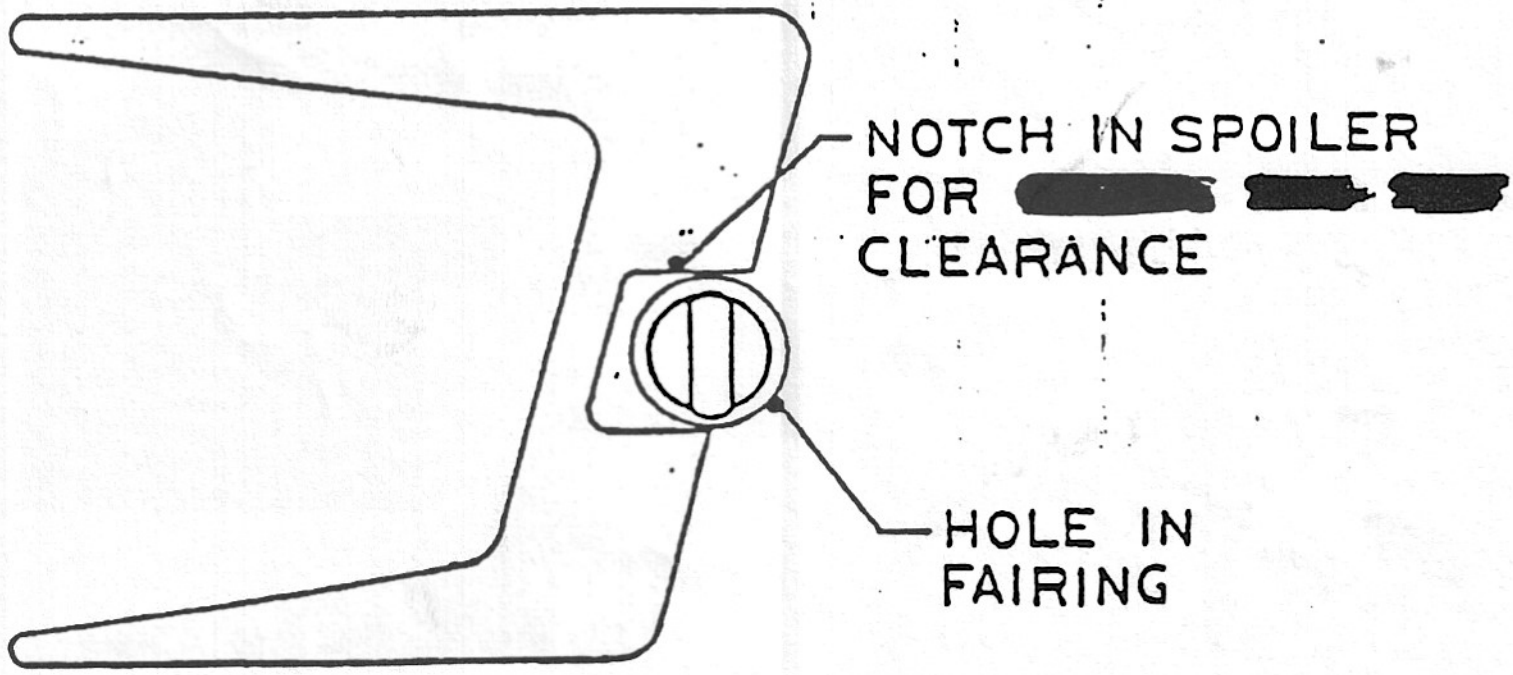




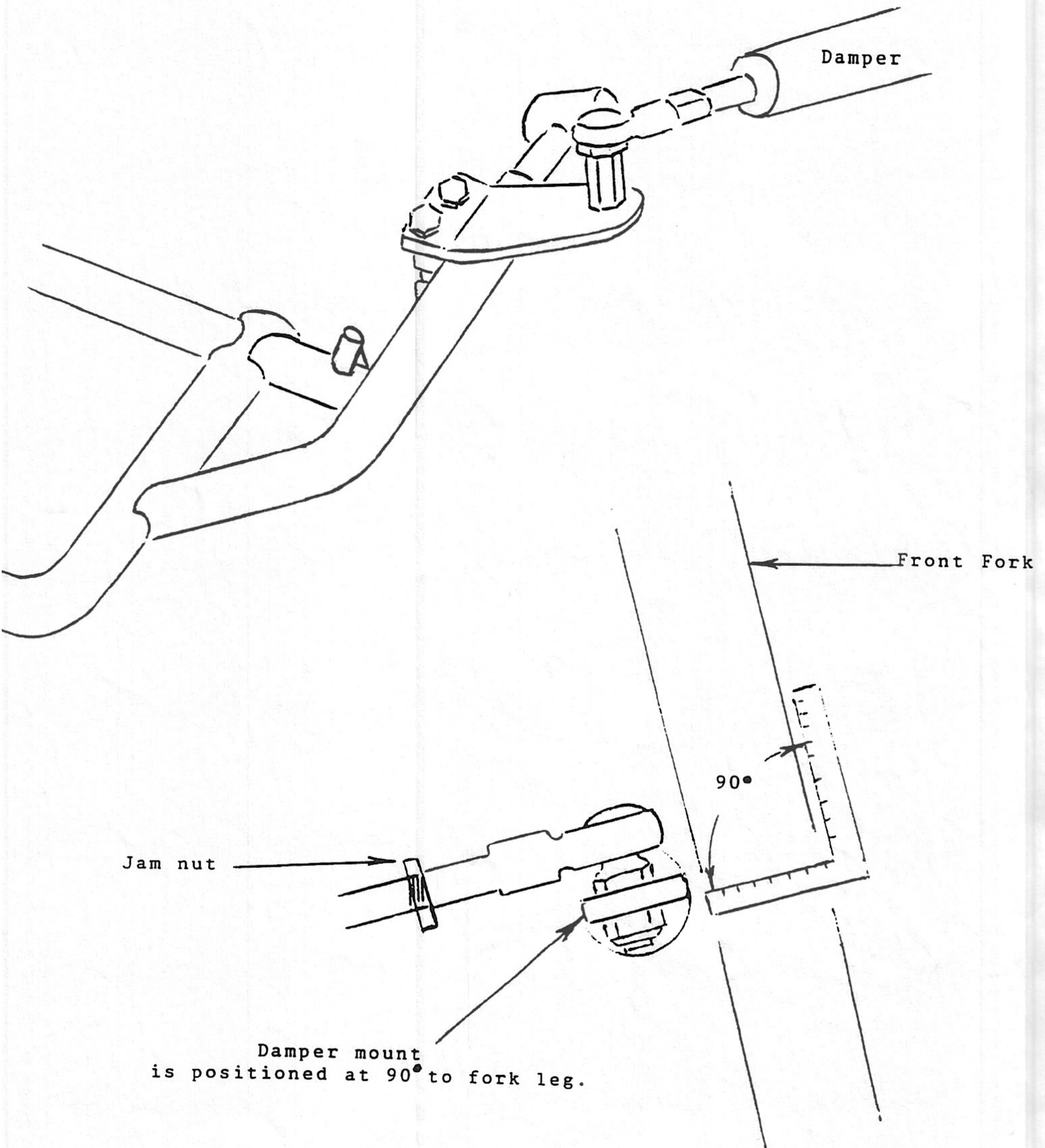
RIGHT HAND SIDE FAIRING



FOR MODEL WITH SPOILER

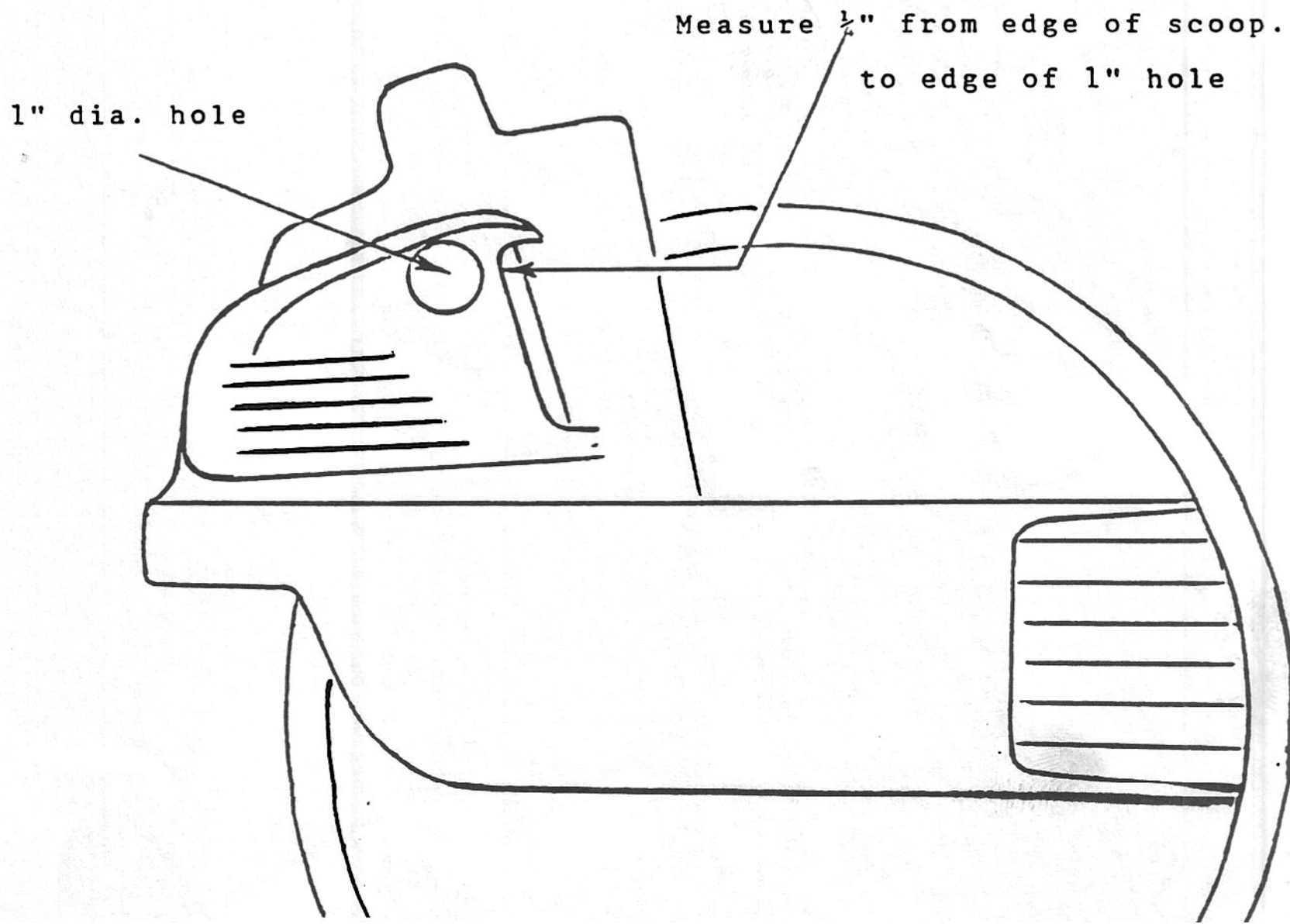
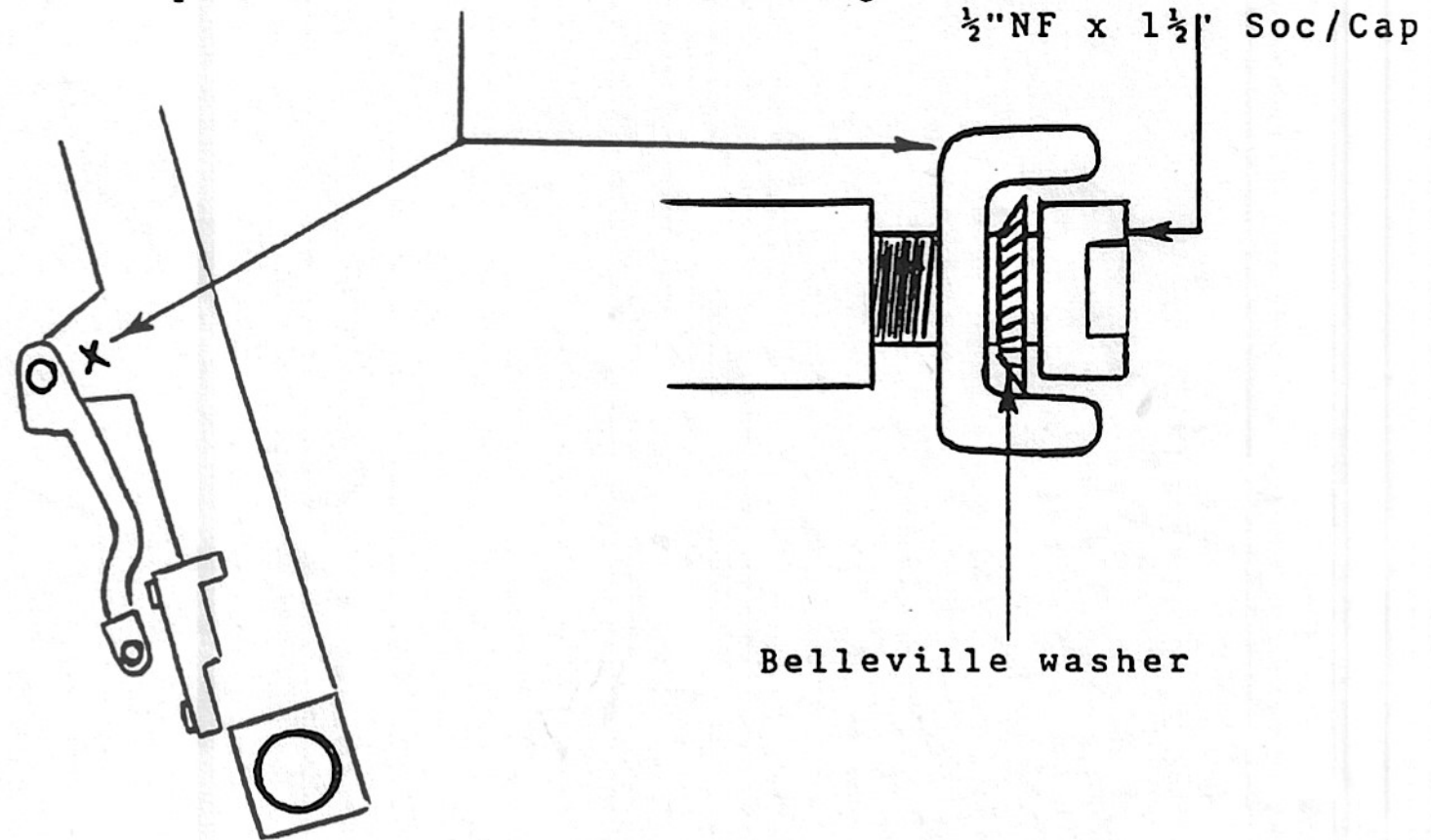






1500 GOLDWING Damper Mount.

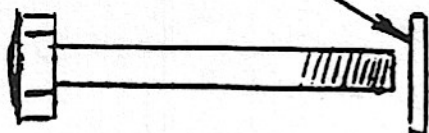
Drill  $\frac{1}{2}$ " hole in center of casting.





1500 Goldwing / Markland backrest.

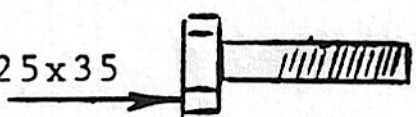
Flat washer



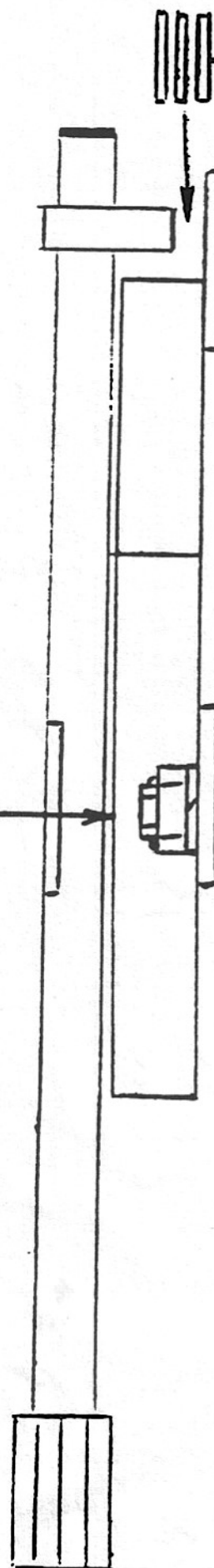
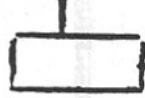
Stock Markland bolt  
replaced with M8-1.25  
x 100

Trim Markland spacer  
to 7/8 inch long

M8-1.25x35



Flat washer



Two or three flat washers  
as needed for spacers

TOP VIEW